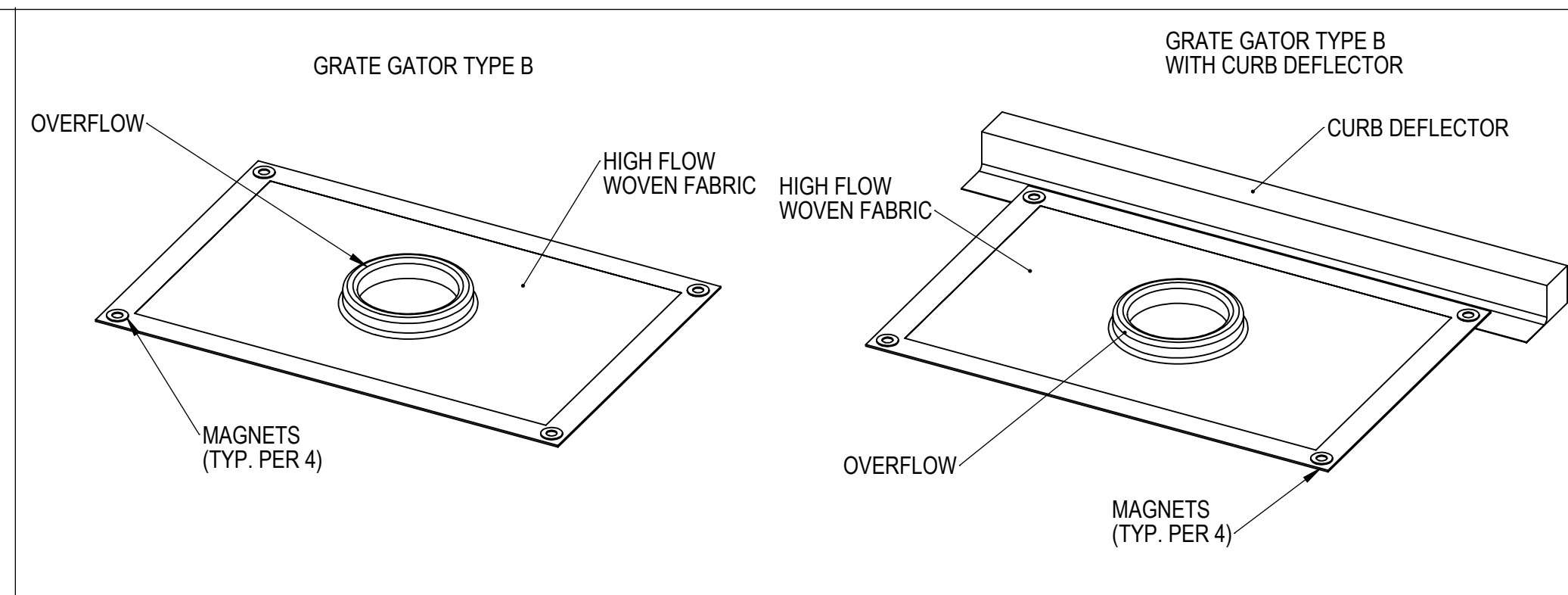
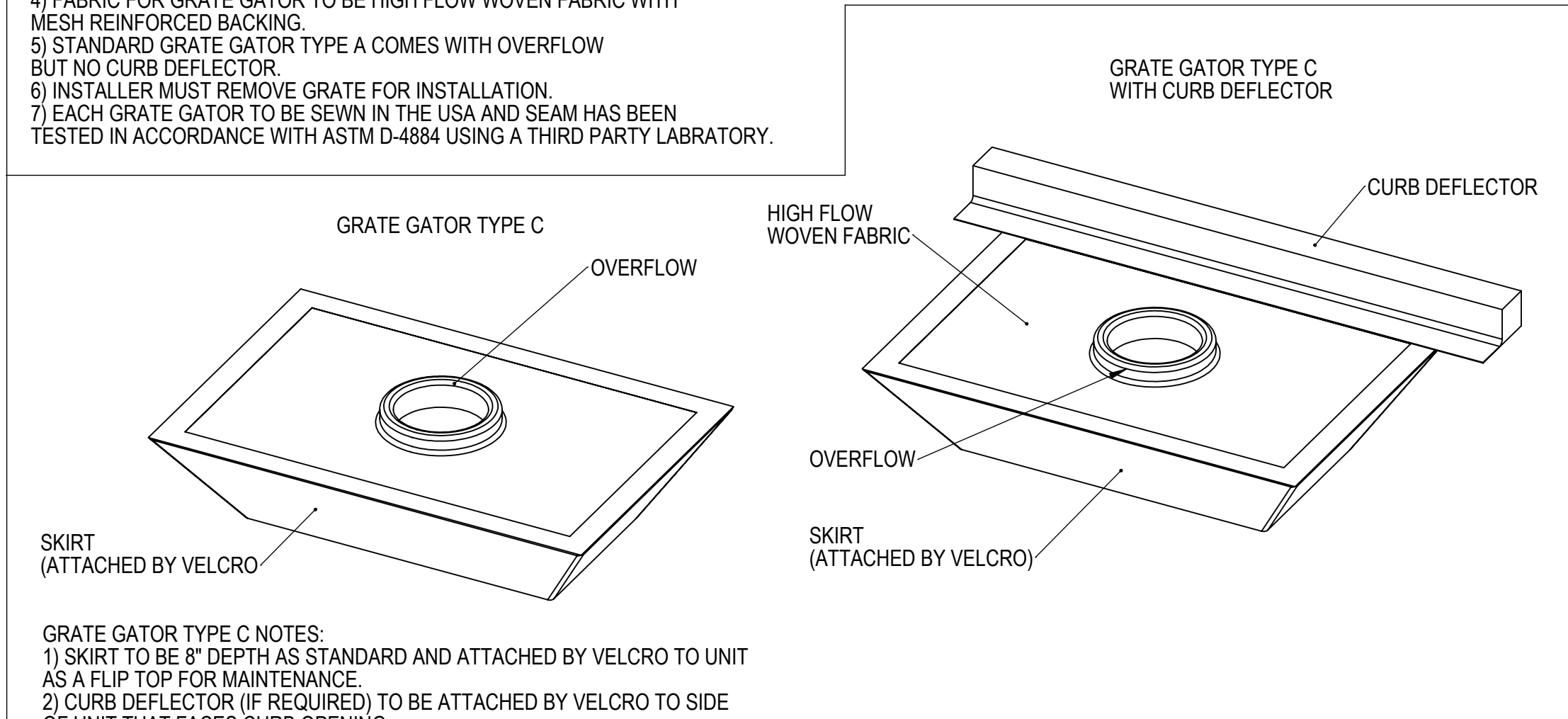


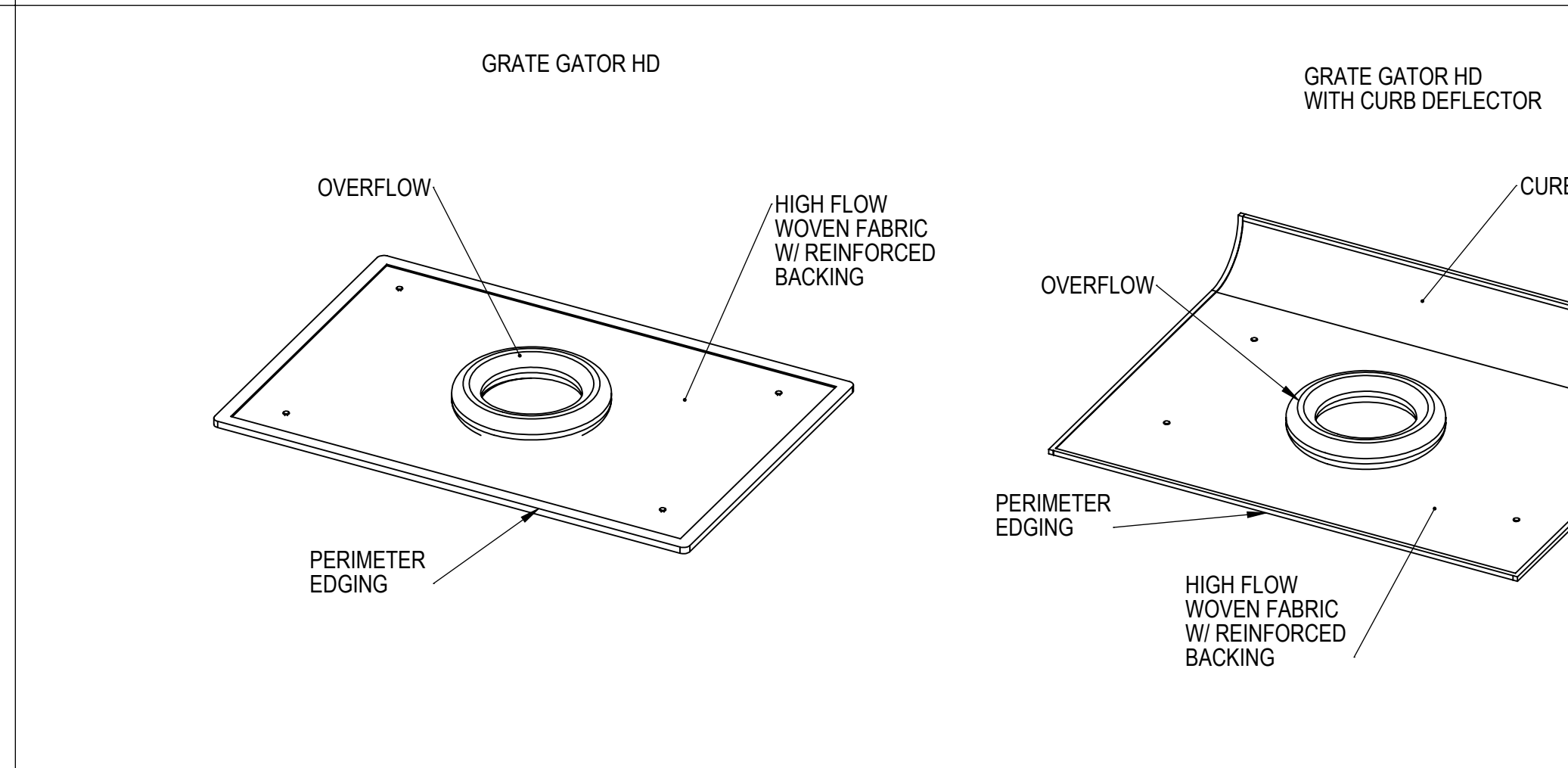
GRATE GATOR TYPE A NOTES:
 1) SKIRT TO BE 8" DEPTH AS STANDARD AND SEWN ON TO UNIT.
 2) CURB DEFLECTOR (IF REQUIRED) TO BE SEWN ON TO SIDE OF UNIT THAT FACES CURB OPENING.
 3) OVERFLOW TO BE 11" O.D.
 4) FABRIC FOR GRATE GATOR TO BE HIGH FLOW WOVEN FABRIC WITH MESH REINFORCED BACKING.
 5) STANDARD GRATE GATOR TYPE A COMES WITH OVERFLOW BUT NO CURB DEFLECTOR.
 6) INSTALLER MUST REMOVE GRATE FOR INSTALLATION.
 7) EACH GRATE GATOR TO BE SEWN IN THE USA AND SEAM HAS BEEN TESTED IN ACCORDANCE WITH ASTM D-4884 USING A THIRD PARTY LABRATORY.



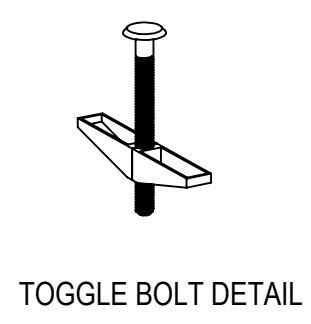
GRATE GATOR TYPE B NOTES:
 1) STANDARD NUMBER OF MAGNETS PER UNIT IS (4) FOR ATTACHMENT TO GRATE.
 2) CURB DEFLECTOR (IF REQUIRED) TO BE SEWN ON TO SIDE OF UNIT THAT FACES CURB OPENING.
 3) OVERFLOW TO BE 11" O.D.
 4) FABRIC FOR GRATE GATOR TO BE HIGH FLOW WOVEN FABRIC WITH MESH REINFORCED BACKING.
 5) STANDARD GRATE GATOR TYPE B COMES WITH OVERFLOW BUT NO CURB DEFLECTOR.
 6) INSTALLER NOT REQUIRED TO REMOVE GRATE FOR INSTALLATION.
 7) EACH GRATE GATOR TO BE SEWN IN THE USA AND SEAM HAS BEEN TESTED IN ACCORDANCE WITH ASTM D-4884 USING A THIRD PARTY LABRATORY.



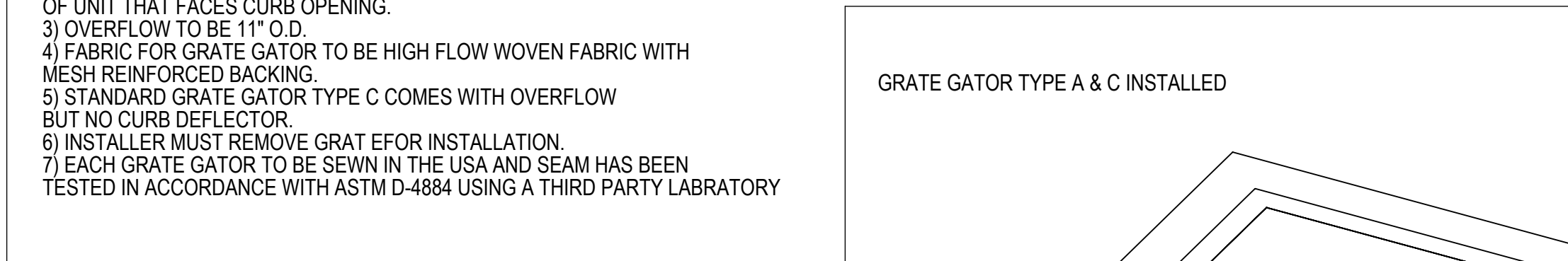
GRATE GATOR TYPE C NOTES:
 1) SKIRT TO BE 8" DEPTH AS STANDARD AND ATTACHED BY VELCRO TO UNIT AS A FLIP TOP FOR MAINTENANCE.
 2) CURB DEFLECTOR (IF REQUIRED) TO BE ATTACHED BY VELCRO TO SIDE OF UNIT THAT FACES CURB OPENING.
 3) OVERFLOW TO BE 11" O.D.
 4) FABRIC FOR GRATE GATOR TO BE HIGH FLOW WOVEN FABRIC WITH MESH REINFORCED BACKING.
 5) STANDARD GRATE GATOR TYPE C COMES WITH OVERFLOW BUT NO CURB DEFLECTOR.
 6) INSTALLER MUST REMOVE GRATE FOR INSTALLATION.
 7) EACH GRATE GATOR TO BE SEWN IN THE USA AND SEAM HAS BEEN TESTED IN ACCORDANCE WITH ASTM D-4884 USING A THIRD PARTY LABRATORY.



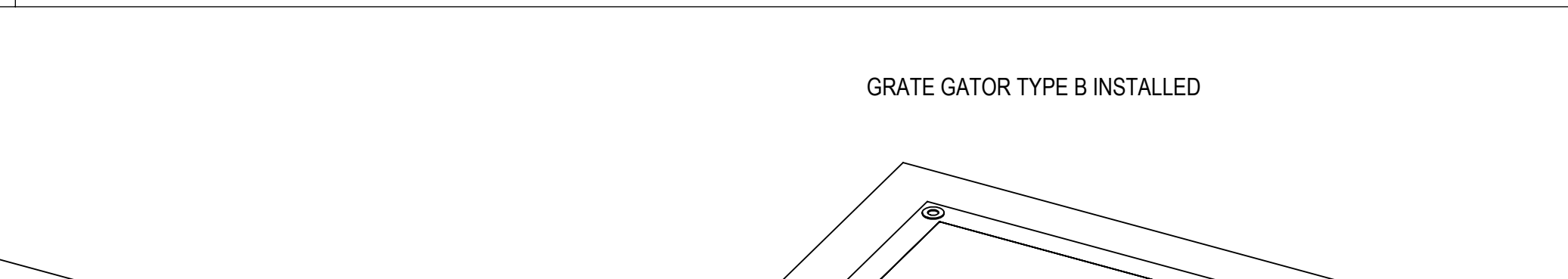
GRATE GATOR HD NOTES:
 1) CURB DEFLECTOR (IF REQUIRED) TO BE 4" TALL.
 2) OVERFLOW TO BE 11" O.D.
 3) FABRIC FOR GRATE GATOR TO BE HIGH FLOW WOVEN FABRIC WITH GALVANIZED EXPANDED METAL BACKING.
 4) STANDARD GRATE GATOR HD COMES WITH OVERFLOW BUT NO CURB DEFLECTOR.
 5) INSTALLER NOT REQUIRED TO REMOVE GRATE FOR INSTALLATION.
 6) EACH GRATE GATOR TO COME WITH HARDWARE BAG THAT INCLUDES (4) TOGGLE BOLT ASSEMBLIES.



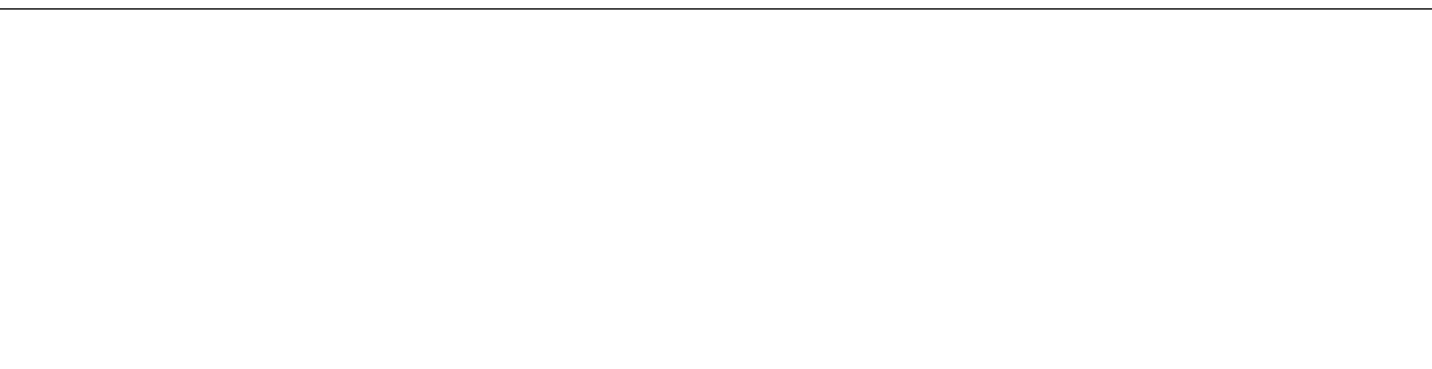
FOR ADDITIONAL INFORMATION, PLEASE CONTACT:
 ACF ENVIRONMENTAL 1-800-448-3636
 WWW.ACFENVIRONMENTAL.COM



GRATE GATOR TYPE A & C INSTALLED



GRATE GATOR TYPE B INSTALLED



GRATE GATOR HD EXPLODED VIEW

INSTALLATION GUIDELINES:
TYPE A
 1) PLACE GRATE GATOR SO THAT THE UNITL COVERS THE SURFACE AREA OF THE GRATE.
 2) INSTALLER MUST LIFT GRATE AND SLIDE THE GRATE GATOR ON TOP, WITH THE SKIRT FLAP WRAPPED AROUND THE GRATE.
 3) REINSTALL GRATE.
TYPE B
 1) PLACE GRATE GATOR SO THAT THE UNIT COVERS THE SURFACE AREA OF THE GRATE.
 2) LET MAGNETS ENGAGE GRATE AND LOCK INTO PLACE.
 3) REMOVAL OF GRATE NOT REQUIRED.
TYPE C
 1) PLACE GRATE GATOR SO THAT THE UNIT COVERS THE SURFACE AREA OF THE GRATE.
 2) INSTALLER MUST LIFT GRATE AND SLIDE THE GRATE GATOR ON TOP, WITH THE SKIRT FLAP WRAPPED AROUND THE GRATE.
 3) REINSTALL GRATE.
TYPE HD
 1) PLACE GRATE GATOR HD SO THAT THE UNIT COVERS THE SURFACE AREA OF THE GRATE.
 2) MARK LOCATIONS FOR TOGGLE BOLT, BURN OR CUT AT HOLE LOCATIONS.
 3) INSERT TOGGLE BOLTS SO THAT A WASHER IS PLACED ON THE TOP SIDE OF THE GRATE GATOR UNIT.
 4) TIGHTEN THE TOGGLE BOLTS TO COMPLETE INSTALLATION.

MAINTENANCE GUIDELINES:
 1) THE GRATE GATOR SHOULD BE CLEANED IF A VISUAL INSPECTION SHOWS SEDIMENT AND DEBRIS BUILT UP AROUND THE UNIT.
 2) CLEAN AS NEEDED. STORE UNIT OUT OF DIRECT SUNLIGHT WHEN NOT BEING USED.
 3) PONDING IS LIKELY IF SEDIMENT IS NOT REMOVED REGULARLY. INSPECTION OF GRATE GATOR SHOULD BE ON A REGULAR BASIS AND IMMEDIATELY AFTER RAIN EVENTS.

ACF GRATE GATOR
 ALL TYPES

DATE	REVISION
4/13/17	AB

DATE	4/13/17
SHEET NO.	GG-01